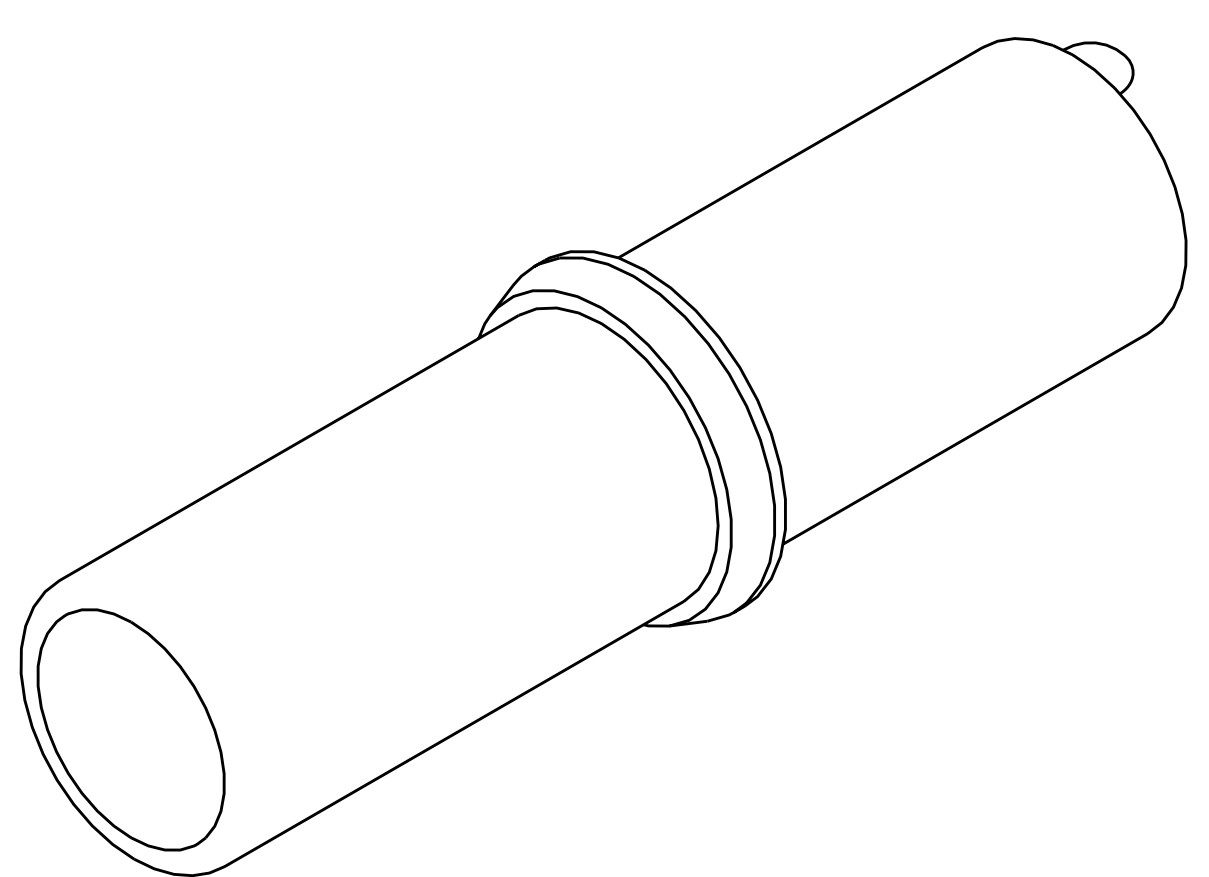
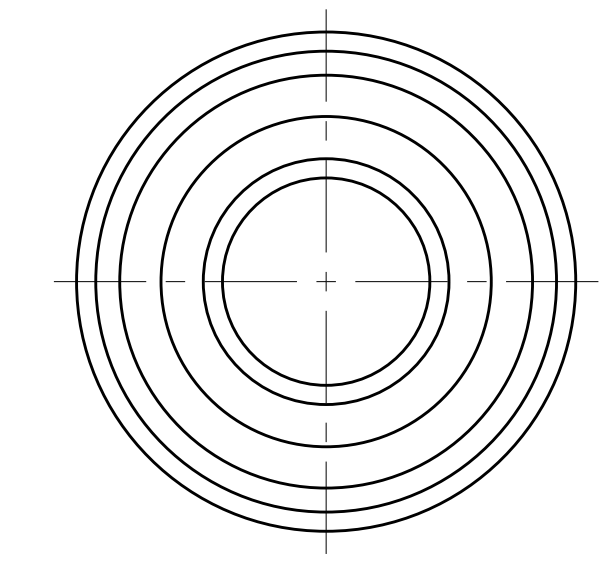
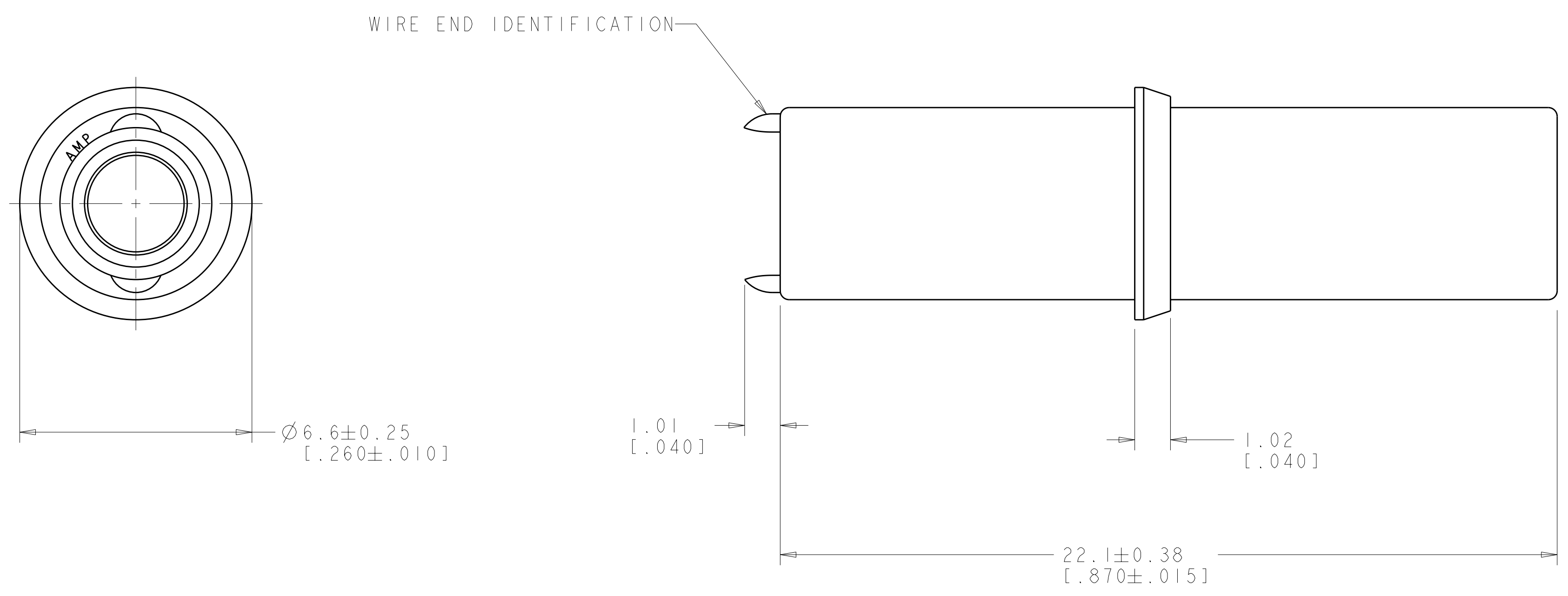


LOC	DIST	REVISIONS			
CM	00	REV	DATE	DWN	APVD
		G	REVISD PER 063B-0222-01	19FEB2002	KW DC
		G1	ECO-08-005427	03MAR2006	KW CC

- 2. MATES WITH 480357.
- ③ A 2.68 [.105] DIAMETER PIN MUST ENTER CAVITY WITH A MAX FORCE OF 1.39 NEWTONS (5 OUNCES).
- ④ 0.13 [.005] MAX FLASH PERMITTED.



SCALE 8:1

METRIC

1-480358-0	NYLON	NATURAL	0.014 IN ³
PART NUMBER	MATERIAL	COLOR	VOLUME

<small>THIS DRAWING IS UNPUBLISHED. RELEASED FOR PUBLICATION BY TYCO ELECTRONICS CORPORATION. ALL RIGHTS RESERVED.</small>		DWN R. WHITAKER 19FEB2002	Tyco Electronics Harrisburg, PA 17105-3608	
<small>THIS DRAWING IS UNPUBLISHED. RELEASED FOR PUBLICATION BY TYCO ELECTRONICS CORPORATION. ALL RIGHTS RESERVED.</small>		CHK D. COLEY 19FEB2002	NAME	
<small>THIS DRAWING IS UNPUBLISHED. RELEASED FOR PUBLICATION BY TYCO ELECTRONICS CORPORATION. ALL RIGHTS RESERVED.</small>		APVD D. COLEY 19FEB2002	PRODUCT SPEC	
<small>THIS DRAWING IS UNPUBLISHED. RELEASED FOR PUBLICATION BY TYCO ELECTRONICS CORPORATION. ALL RIGHTS RESERVED.</small>		APPLICATION SPEC		
<small>THIS DRAWING IS UNPUBLISHED. RELEASED FOR PUBLICATION BY TYCO ELECTRONICS CORPORATION. ALL RIGHTS RESERVED.</small>		WEIGHT		
<small>THIS DRAWING IS UNPUBLISHED. RELEASED FOR PUBLICATION BY TYCO ELECTRONICS CORPORATION. ALL RIGHTS RESERVED.</small>		CUSTOMER DRAWING		

DIMENSIONS:	TOLERANCES UNLESS OTHERWISE SPECIFIED:
mm [INCHES]	0 PLC ±
	1 PLC ±
	2 PLC ±0.13 [.005]
	3 PLC ±
	4 PLC ±
	ANGLES ±
	FINISH ±

MATERIAL	SEE TABLE
----------	-----------

SIZE	CAGE CODE	DRAWING NO	RESTRICTED TO
A	00779	C=480358	-
SCALE 10:1		SHEET 1 OF 1	REV G